

PT9 HD IP PTZ JB

Complete PTZ camera station



Overview

Eaton's weather proof series are highly advanced process and surveillance camera stations that are designed to meet worldwide demanding environments.

Features

- Full HD resolution
- IR sensitive
- Digital WDR (wide dynamic range)
- Automatic day/night function
- Multi-cable accommodated
- Flexible powering (30 VAC, 24 VDC)
- Scratch proof, tempered glass
- Auto focus with manual override
- Auto iris with manual override
- Sunshield (optional)
- Built-in heating
- 20 x optical zoom
- Designed to accept future software upgrades remotely

The PT9 camera station is well suited for desert areas as for the corrosive environments on board marine vessels and oil & gas installations, in arctic as well as equatorial climates.

Designed specifically for operation in the most demanding conditions the PT9 is built from high quality electro polished 316L stainless steel and has, scratch resistant tempered window glass, built-in heater.

The PT9 pan/tilt, zoom, focus and iris functions are all automatic or manual, at any time to assure maximum accuracy and control. This camera station will quickly focus on a predefined object or area by utilizing the preset position feature. 100 positions are at your fingertips and will allow the operator to alternate between areas, processes or objects rapidly.

Additionally the PT9 with it's IP66 ingress protection makes it exceptionally resilient to extreme environmental conditions where vibration, humidity, extreme temperature variations and corrosion are a normal occurrence.

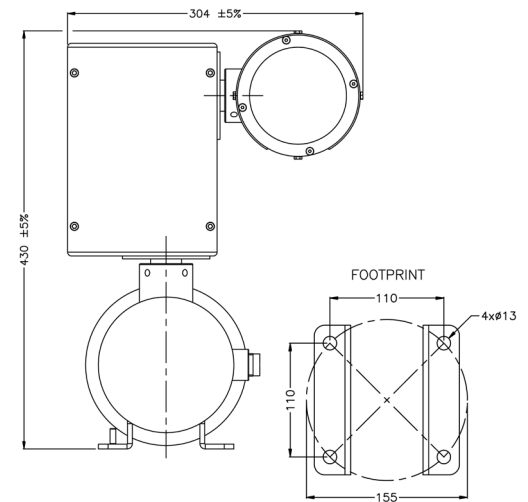
Installation is simple and a single cable is sufficient for the transmission of data and power, routed directly to the control cabinet (standard Eaton HERNIS™ multi-cable).

The PT9 can work with illumination as low as 0.01 lux a, has 1080p resolution and uses Eaton HERNIS™ Flex IP control protocol, additionally the future proof design can facilitate future software upgrades and diagnostics remotely.

Specifications

Physical dimensions camera	
Weight	19kg
Dimensions (W x H x D)	304 x 430 x 298mm
Mounting	Upright or hanging – bolts: M12 (not included) Field cable installation through M20 gland for HERNIS™ cables (not included)
Material & finish	Stainless steel AISI 316L, electro polished
Operating conditions camera	
IP protection rate	IP66 (NEMA 4x)
Humidity	Up to 100%
Operating temperature range	-25°C - +55°C (heating element inside housing)
Vibration	3 - 100 Hz (1 mm or 0,7 gr)
Enclosure	Salt mist tested
Camera	
Image sensor	1/2.8" progressive scan CMOS
Sync system	Internal
Frame rate	50 Hz: 25 fps (1920 × 1080), 25 fps (1280 × 720) 60 Hz: 30 fps (1920 × 1080), 30 fps (1280 × 720)
Min. illumination	Color: 0.05 lux @ (F1.6, AGC ON) B/W: 0.01 lux @ (F1.6, AGC ON)
S/N ratio / WDR	> 50 dB / WDR
Lens	20 x optical
Focal length	4.7 - 94mm
Aperture range	F1.6 - F3.5
Angle of view	61.4 - 2.9°(wide-tele)
Min. working distance	10mm - 1500mm (wide-tele)
Zoom speed	Approx. 2.7s (optical, wide-tele)
Day & night	IR cut filter auto switch
Specifications IP	
Protocol	IPv4/IPv6, TCP/IP, HTTP, DHCP, DNS, DDNS, RTP, RTSP, PPPoE, SMTP, NTP, UPnP, SNMP, FTP, 802.1x, QoS, HTTPS, IPv6 (SIP, SRTP optional)
Compression	Main stream: H.264 Sub stream: H.264, MJPEG
H.264 compression profile	Main profile, high profile
Dual-streaming	Supported
Video bit rate	256 Kbs - 13 Mbps
Specifications fiber optics (FO)	
Mode	Single mode (SM), bi-directional transmission
Wavelength	1310/1550nm
Optical budget	19dB
Operating distance	Up to 20 km
Connector	1 x LC connector on SFP module FO Pigtail with LC fiber connector (not included) in fiber splice box (included)
Attributes	
Power supply for configuration 351/466	30 VAC (+10% -30%, 50/60 Hz)
Power supply for configuration 354/466	115/230VAC (+/-10%)
Power consumption	30 VAC: 13W Min, (53W Max. heater on) (77W Max. PTZ on) 115/230VAC: 13W Min, (53W Max. heater on) (77W Max. PTZ on)
Rotating angle/variable speed	Pan: 0-350° / speed 1.5°/sec. - 40°/sec Tilt: ±90° / speed 1.5°/sec. - 20°/sec
Preset/home positions	96 preset + 4 home positions, accuracy ≤ 0.5°
Accessories	
Optional	Sunshield, tropical sunshield, safety wire, gland and cables

General arrangement drawing (all dimensions in mm)



Ordering requirements

The following code is designed to help in selection of the correct unit.

HERNIS™ part no:	097173-35x/4x6
351/466	1080p IP camera 20xZoom with Fiber media converter, 30VAC
351/486	1080p IP camera 30xZoom with Fiber media converter, 30VAC
354/466	1080p IP camera 20xZoom with Fiber media converter, 115/230VAC
354/486	1080p IP camera 30xZoom with Fiber media converter, 115/230VAC