

PT9W HD IP

Complete PTZ camera station



Overview

Eaton's weather proof series are highly advanced process and surveillance camera stations that are designed to meet worldwide demanding environments.

Features

- Full HD resolution
- Digital WDR (wide dynamic range)
- Automatic day/night function
- IR sensitive
- Mounting bracket included
- Scratch proof, tempered glass
- Flexible powering (30 VAC, 24 VDC)
- Integrated wiper
- Washer pump & tank
- Sunshield
- Auto focus with manual override
- Auto iris with manual override
- Multi-cable accommodated
- Built-in heating
- 20 x optical zoom

The PT9W HD IP camera station is well suited for desert areas as for the corrosive environments on board marine vessels and oil & gas installations, in arctic as well as equatorial climates.

Designed specifically for operation in the most demanding conditions the PT9W is built from high quality electro polished 316L stainless steel and has, scratch resistant tempered window glass, built-in heater.

The PT9W pan/tilt, zoom, focus, iris, wiper functions are all automatic or manual, at any time to assure maximum accuracy and control. This camera station will quickly focus on a predefined object or area by utilizing the preset position feature. 100 positions are at your fingertips and will allow the operator to alternate between areas, processes or objects rapidly.

Additionally the PT9W with it's IP66 ingress protection makes it exceptionally resilient to extreme environmental conditions where vibration, humidity, extreme temperature variations and corrosion are a normal occurrence.

Installation is simple and a single cable is sufficient for the transmission of data and power, routed directly to the control cabinet (standard Eaton HERNIS™ multi-cable).

The PT9W can work with illumination as low as 0.01 lux, has 1080p resolution and uses Eaton HERNIS™ Flex IP control protocol, additionally the future proof design can facilitate future software upgrades and diagnostics remotely.

Certifications

Type Approval	DNV GL Certificate No: TAA00000C8
---------------	-----------------------------------

Specifications

Weight	15 kg
Dimensions (W x H x D)	300 x 403 x 300 mm
Mounting	Upright or hanging - bolts: M12 (not included)
Material & finish	Stainless steel AISI 316L, electro polished

Operating conditions camera

IP protection rate	IP66 (≈ NEMA 4x)
Humidity	Up to 100%
Operating temperature range	-25°C ~ +55°C (Heating Element inside Housing)
Vibration	3 - 100 Hz (1 mm or 0,7 gr)
Enclosure	Salt mist tested
Heating element	Internal automatic thermostat controlled

Camera

Image sensor	1/2.8" progressive scan CMOS
Sync system	Internal
Frame rate	50 Hz: 25 fps (1920 x 1080), 25 fps (1280 x 720) 60 Hz: 30 fps (1920 x 1080), 30 fps (1280 x 720)

Min. illumination	Color: 0.05 lux @ (F1.6, AGC ON) B/W: 0.01 lux @ (F1.6, AGC ON)
-------------------	--

S/N ratio / WDR	>50 dB / WDR
-----------------	--------------

Lens	20 x optical	30 x optical
------	---------------------	---------------------

Focal length	4.7-94mm	4.5-135mm
--------------	----------	-----------

Aperture range	F1.6-F3.5	F1.6-F4.4
----------------	-----------	-----------

Angle of view	61.4-2.9°(wide-tele)	65.1-2.35°(wide-tele)
---------------	----------------------	-----------------------

Min. working distance	10mm-1500mm (wide-tele)	10mm-1500mm (wide-tele)
-----------------------	-------------------------	-------------------------

Zoom speed	Approx. 2.7s (optical, wide-tele)	Approx. 3s (optical, wide-tele)
------------	-----------------------------------	---------------------------------

Day & night	IR cut filter auto switch	IR cut filter auto switch
-------------	---------------------------	---------------------------

Specifications IP

Protocol	IPv4/IPv6, TCP/IP, HTTP, DHCP, DNS, DDNS, RTP, RTSP, PPPoE, SMTP, NTP, UPnP, SNMP, FTP, 802.1x, QoS, HTTPS, IPv6 (SIP, SRTP optional)
----------	---

Compression	Main stream: H.264 Sub stream: H.264, MJPEG
-------------	--

H.264 compression profile	Main profile, high profile
---------------------------	----------------------------

Dual-streaming	Supported
----------------	-----------

Video bit rate	256 Kbs - 13 Mbps
----------------	-------------------

Ethernet port	Spring terminal, 10M/100M Ethernet interface
---------------	--

Electrical data	CAT6 cable AWG23
-----------------	------------------

Attributes

Power supply for configuration 151/466	30 VAC (+10% -30%, 50/60 Hz)
--	------------------------------

Power supply for configuration 155/466	24 VDC (+/-10%)
--	-----------------

Power consumption	30VAC: 10W Min, (50W Max. heater on) (54W Max. PTZ on) (57W Max wash pump on) 24VDC: 10W Min, (50W Max. heater on) (54W Max. PTZ on) (57W Max wash pump on)
-------------------	--

Heat dissipation	30VAC: 10W Min, (50W Max. heater on) (54W Max. PTZ on) (57W Max wash pump on) 24VDC: 10W Min, (50W Max. heater on) (54W Max. PTZ on) (57W Max wash pump on)
------------------	--

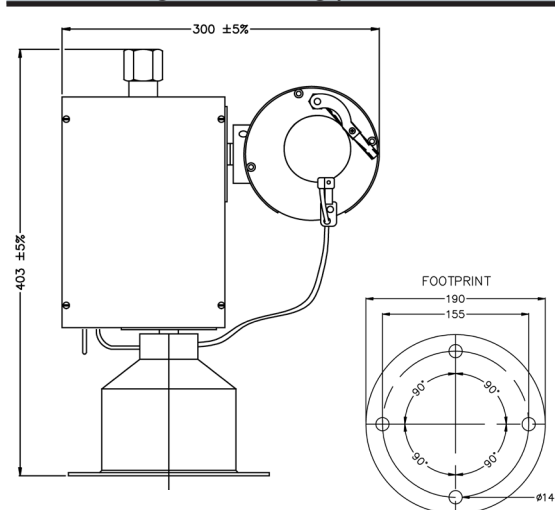
Rotating angle/variable speed	Pan: 0-350° / speed 1.5°/sec. - 40°/sec Tilt: ±90° / speed 1.5°/sec. - 20°/sec
-------------------------------	---

Preset/home positions	100 preset + 4 home positions, accuracy ≤ 0.5°
-----------------------	--

Accessories

Optional	Tropical sunshield, safety wire
----------	---------------------------------

General arrangement drawing (all dimensions in mm)



Ordering requirements

The following code is designed to help in selection of the correct unit.

HERNIS™ part no:	097164-15x/4x6
151/466	IP 30VAC 20xZ 1080p
151/486	IP 30VAC 30xZ 1080p
155/466	IP 24VDC 20xZ 1080p
155/486	IP 24VDC 30xZ 1080p