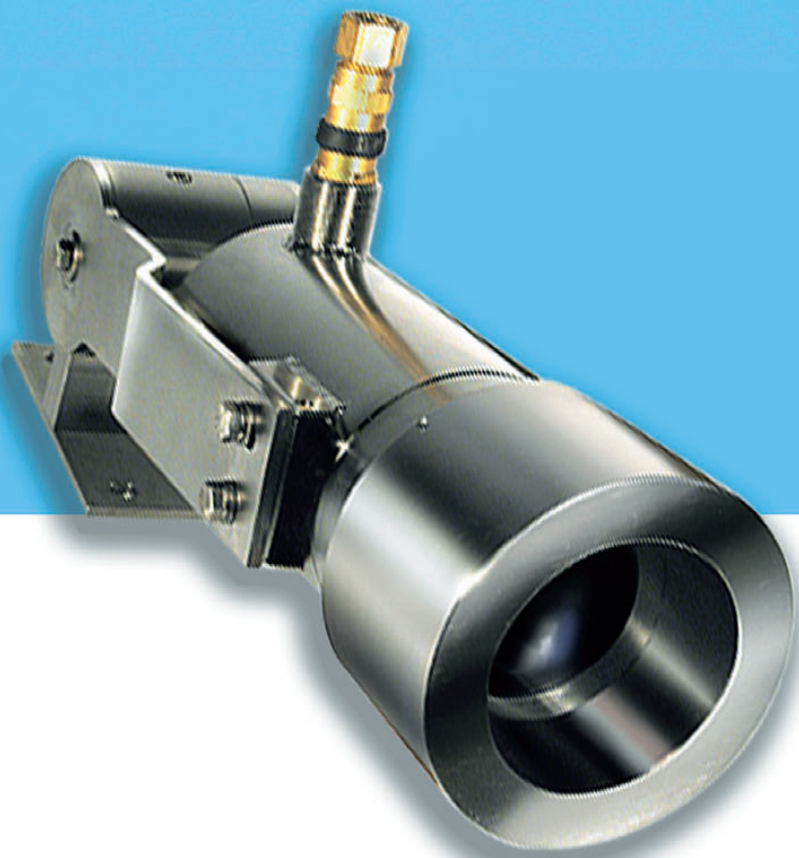


HERNIS Crane TV



HERNIS Crane TV

The HERNIS Crane TV – the eye in the sky – has rapidly become the preferred solution for Crane Operators world wide. With a camera installed to overlook the topside of the load and the crane hook assembly, valuable information is relayed to the crane operator via his monitor. Offered a clear view of the load the traditional difficulties of manoeuvring the load efficiently and safely have been reduced significantly.

Whereas building structures, objects, distances and light conditions used to represent big challenges for the crane operator, the HERNIS' Eye in the Sky makes even the most challenging tasks feasible.

The HERNIS Solution

Stable suspension and Auto Object Tracking

The HERNIS Crane Camera overlooking the crane hook assembly is suspended from the crane structure via an integrated oil damper. The design keeps the camera in a stable vertical position even when the crane boom is tilted. The oil damper absorbs shocks and vibration protecting the camera and ensuring stable pictures.

The Auto Object Tracking System automatically zooms in on the predefined object, tracking the payload during hoisting or lowering, keeping the object a constant size on the screen. This provides an optimal "Eye in the Sky" in order to check for clearances, correct wire spooling etc. The interface unit uses an analogue feedback signal from the wire drum.

Designed for extreme conditions

The camera station is certified for use in hazardous areas and designed to withstand the harsh conditions found in offshore and marine environment. The housing is made of stainless steel and hardened glass. It contains a 1/4" CCD auto focus colour camera with an 18x optical zoom lens and a thermostatic heating element in order to avoid condensation and ice.



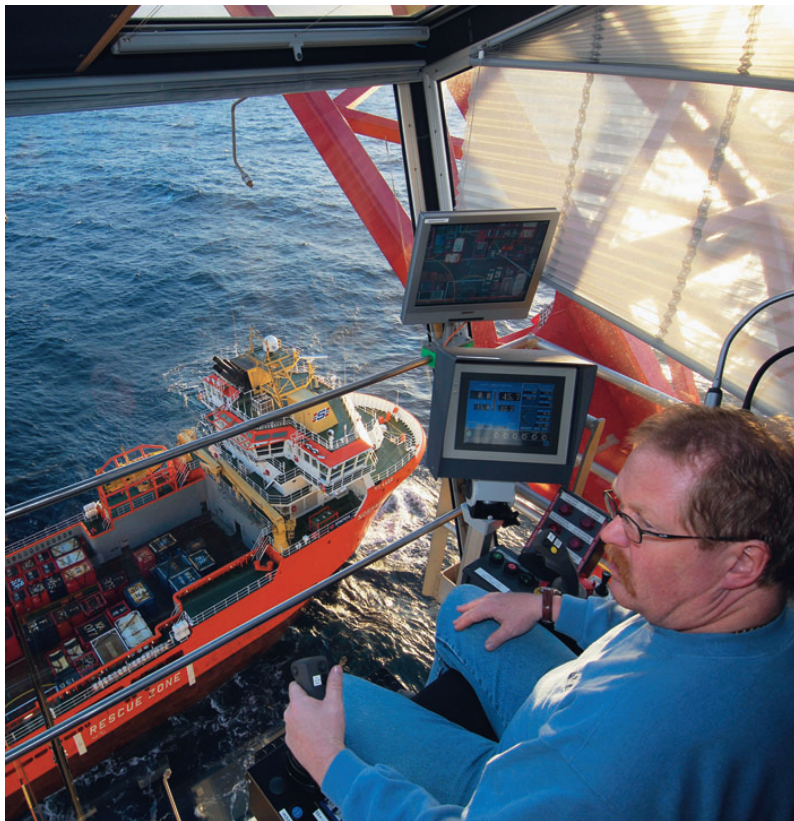
The crane camera is installed to overlook the topside of the load and crane hook assembly, enabling the crane operator to manoeuvre the load safely and efficiently via detailed images relayed to his monitor.

- Clear topside view of load and crane hook assembly
- Automatic zoom and object tracking
- Stable pictures, relayed directly to crane operator's monitor
- Easy controls, automatic or manual
- Designed and certified for extreme conditions

Easy Controls

Depending on the model, the HERNIS Crane TV system includes either a joystick or a push-button based control. All camera functions such as iris, zoom, focus and camera selections can be operated with the joystick. The joystick can be removed from the control box and installed into other panels if required.

A compact central unit links the system together as well as providing room for the electronics and the power supply for the camera station.



The HERNIS Crane TV system has proved a reliable and superior solution for Crane Operators, and is today the preferred solution world wide. Photo: Statoil, Dag Myrestrand

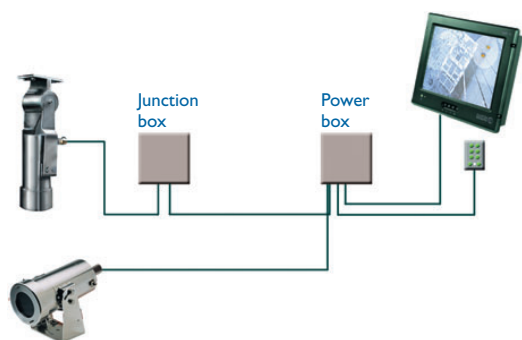
The HERNIS Crane TV system has proved a reliable and superior solution for Crane Operators. Offered a clear view of the load the traditional difficulties of manoeuvring the load efficiently and safely has been reduced significantly.



BENEFITS

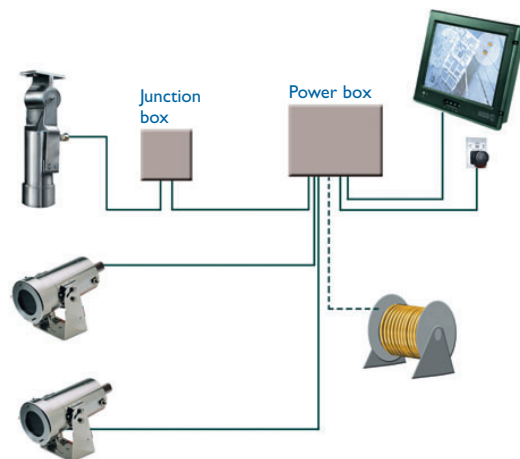
	Qualities	Benefits
Camera station	Explosion proof	✓ Certified to be installed in hazardous areas
	Stainless steel and hardened glass	✓ Maintenance free and suited to meet tough and aggressive conditions
	Weatherproof	✓ Prolonged lifetime of equipment
	Auto focus camera with zoom lens	✓ Simple operation with a wide range of use
	Oil Damper	✓ Maintains the perspective and stabilizes the picture
	Thermostatically controlled heater	✓ Prevents condensation and ice building
Central Unit	Compact Size	✓ Installation friendly
Operation Panel	Push-button control	✓ Simple operation of all basic functions
	Joy stick control	✓ Simple operation with advanced functions available through menu
	Flexible Camera Control	✓ Automatic or manual control
Monitor	Picture In Picture (PIP) Unit	✓ One monitor shows two camera inputs simultaneously
	Different Types of Monitors	✓ Suitable for all crane cabins
Cable	Multi Cables	✓ Cost effective installation
Options	Auto Object Tracking	✓ Automatic zoom function for easy operation
	Additional cameras	✓ Added information. For monitoring e.g. winch drum spooling
		✓ Weatherproof or Explosion Proof types available

HERNIS Crane TV – the valuable eye in the sky



Model CT 10 Ex Basic has one remote controlled camera input with a pushbutton-based operation panel to control zoom, focus and iris. One fixed camera station or Picture in Picture (PIP) functionality is available as option.

Model CT 30 Ex Advanced has two remote controlled camera inputs with a joystick-based operation control. The system offers onscreen menus for easy configuration and adjustment of parameters. Auto Object Tracking and One controllable/fixed camera station or Picture in Picture (PIP) Unit are available as options.



The additional camera stations can be either explosion proof or weatherproof

OPTIONS

	Model CT 10 Ex Basic	Model CT 30 Ex Advanced
Additional controllable cam.		X
Additional fixed camera	X	X
Auto Object Tracking		X
PIP Unit	X	X

SPECIFICATIONS

	Model CT 10 Ex Basic	Model CT 30 Ex Advanced
Camera station	ATEX Approval	Ex II2 G, Eex d IIC T6
	Material	Stainless Steel AISI 316L Electro polished
	Protection	IP 66
	Suspension	Hydraulic Damper
	Camera	Color CCD
	Lens	18 x optical zoom
	Operating temp.	-20°C - +50°C
Central Unit	Material	Steel
	Protection	IP 55
Operation Panel	Material	Polyester
	Protection	IP 23
	Type	Push Button
Monitor	Various sizes available	Not included. Specify in order
Cable	HERNIS Crane TV Cable	Not included. Specify in order



Part of the Vislink Plc.

Agent:



P.O. Box 619, N-4809 Arendal, Norway, Tel: +47 37 06 37 00, Fax: +47 37 06 37 06, e-mail: cctv@hernis.com

Singapore office: 6 Changi North Street I, Spanners Building, Singapore 498825, Tel: +65 654 59 068, Fax: +65 654 29 068, e-mail: cctv.singapore@hernis.com

USA office: Dairy Ashford Plaza, Suite # 495, 2000 Dairy Ashford, Houston, TX 77077, USA, Tel: +1 281 560 8050, Fax: +1 281 560 80541, e-mail: cctv.houston@hernis.com

Brasil office: Rua Acadêmico Paulo SC Vasconcelos 207, Granja dos Cavaleiros, 27930-260, Macaé, RJ Brasil, Tel: +55 22 2773 5465, Fax: +55 22 2773 5462, e-mail: cctv.brasil@hernis.com